

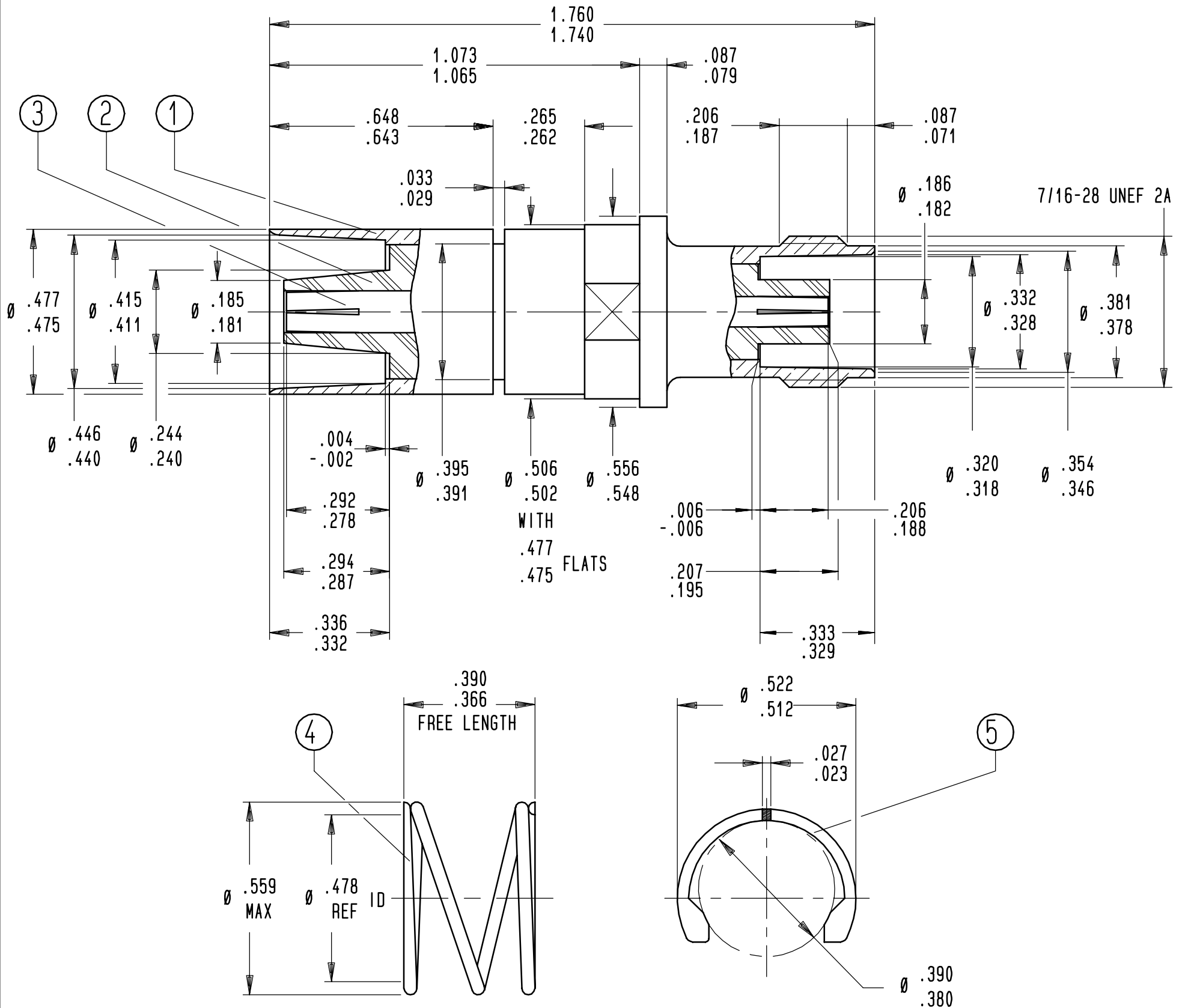


Series
NSX

SIZE 1 RF COAXIAL SOCKET CONTACT
WITH TNC ADAPTATOR

Issue:
20 NOV 96

Page
1 / 1



5	RETAINING CLIP	STAINLESS STEEL	PASSIVATED	1
4	SPRING	MUSIC WIRE	CADMIUM PLATED	1
3	CENTER CONTACT	BERYLLIUM COPPER	GOLD .00005 OVER NICKEL	1
2	INSULATOR	TEFLON		1
1	OUTER CONTACT	BERYLLIUM COPPER	GOLD .00005 OVER NICKEL	1
ITEM	PART	MATERIAL	FINISH	QTY

CREATION				
PEN: .				
NOM: FALETTI				
DATE: 21 MAY 93				
APPR.: .	20 NOV 96	REDRAWN	VALGRESY	
	Issue	Revisions	Name	Approved

4112-9610

A620116